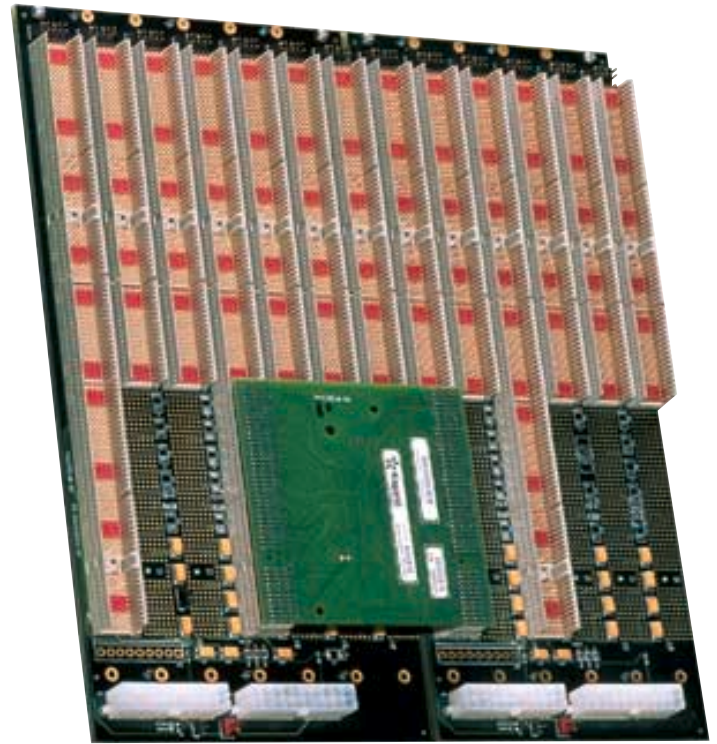
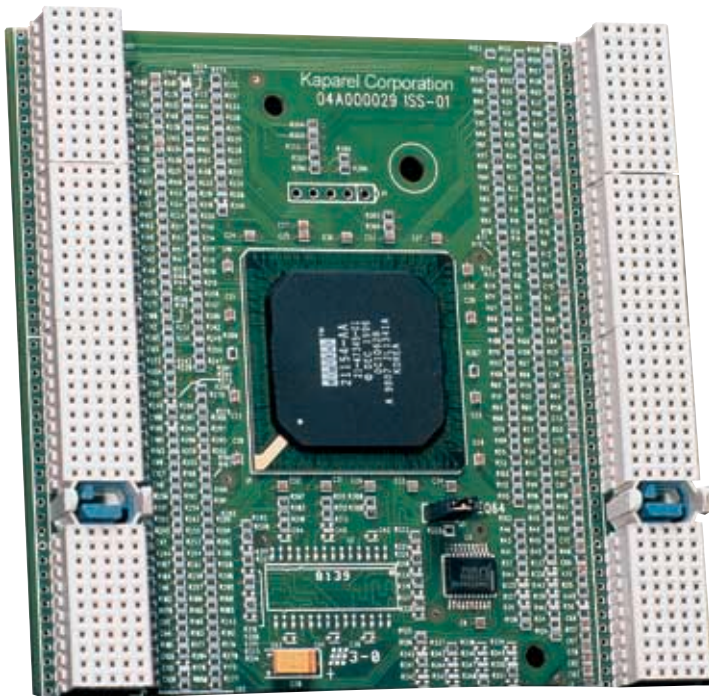


PS1130 32- or 64-bit Rear Pallet Bridge



**General Description:**

This bridge module is a pallet bridge. This allows the bridge to be mounted on the rear of the backplanes, so that the maximum number of slots is available on the front of the backplanes. The bridge is a 64-bit PCI to PCI bridge, using the Intel 21154 bridge chip. The bridge module bridges from right to left. When mounted on the backplane and viewed from the front, the right connector will act as a peripheral, while the left connector will act as a host. The same bridge module is compatible with 3.5U, 6.5U, and 7U modular series backplanes.

**Features:**

- 32 or 64-bit operation
- 3.3V or 5V operation
- Intel 21154 PCI-PCI bridge chip
- Consumes no front slots
- Compatible with PS1300, PS1400, and PS4400 modular series CompactPCI backplanes

**Mechanical:**

The bridge module routes the primary PCI to secondary PCI bus from right to left when looking at a front view of the CompactPCI backplane. The bridge module is keyed such that the module cannot be inserted incorrectly.

The bridge module PCB measures approximately .4" x 4" .

The modules are mated parallel to the main CompactPCI backplane from the rear using 2mm connectors. This parallel mating makes the J1 and J2 connectors inaccessible for rear mated user I/O on all 5 slots under the bridge.

**PS1130 Application Notes:**

When the PS1130 is used with Kaparel/Rittal modular backplanes, there are no configuration options that need to be set by the user. (e.g. jumpers, switches, etc.). The PS1130 bridge plugs into long tail connectors on the rear side of the backplanes.

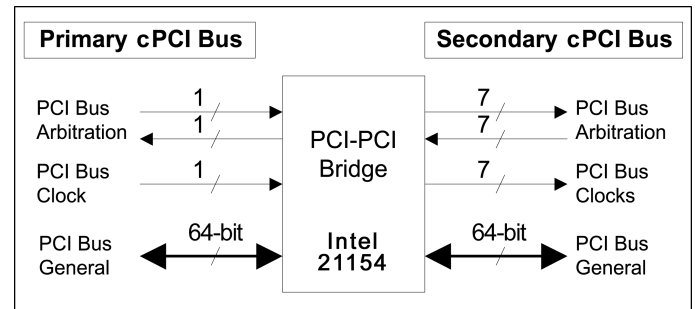
The PS1130 bridge allows all front slots to be operational. There are no unusable slots when a PS1130 bridge is used.

The PS1130 is a 64-bit bridge. It can be used to bridge from 32 or 64-bit segments to 32 or 64-bit segments.

V(I/O) may be +3.3 V or +5 V on either side of the bridge. Any combination of these voltages is acceptable. The bridge will automatically detect the bus voltage and adjust its I/O levels accordingly.

Rear I/O on J3-J5 connectors is not obstructed by the PS1130 bridge. Backplanes are butted tightly (1 mm of space) together when using multiple backplanes.

**Electrical**



**Electrical:**

Ground is connected from the primary PCI bus to the secondary PCI bus. The power supplies (+5 V, +3.3 V, +/-12 V) are not connected across the bridge. The power supplies are AC coupled from primary to secondary to preserve signal integrity. All circuitry on the bridge module derives its power from the primary.

Order No.	Model No.	Related products
3686546	PS1300	3U modular series backplanes (see pg 72)
3686549	PS1400	6U modular series backplanes (see pg 73)
3686877	PS4400	6U modular series backplanes (see pg 73)
3686571	PS1130	Pallet bridge 32/64-bit