

Product Information

RiCase



Color Variants



RAL 5018



RAL 5012



RAL 7030

- Desktop enclosure for the installation of 482.6 mm (19") rack-mounted equipment and components
- All-metal design affords a high level of mechanical protection
- Ergonomic handle, base and door variants
- For mobile and stationary use
- 3 color variants as standard

RiCase enclosures are supplied in three color variants as standard. Other colors can also be supplied on request.

In Detail:

RiCase

RiCase enclosures can be configured individually to suit the respective application using doors, handles and front and rear panels.

Handling



Horizontal Carrying Handles
allow easy transportation, even of populated enclosures.



Support Stand/carrying Handle
for portable use, adjusts in 30° increments.
(Order No. see page 258).

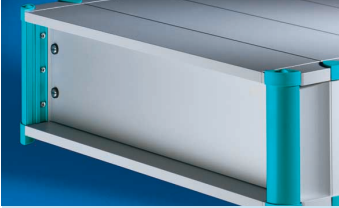


Tower Feet
ensure stability of the enclosures, even with vertical installation.



Precise Stackability
is guaranteed, thanks to the designer corners of the bottom and top RiCase, which slot into one another in a non-slip, stable arrangement.

Doors And Covers



The rear is sealed with a blanking plate. However, the symmetrical arrangement also permits population from the rear.
(Order No. see page 261).



A hinged blanking plate improves handling and provides easier access to the rear components
(Order No. see page 261).



The hinged rear door (also for fan installation) is equipped with a security lock.
(Order No. see page 260).

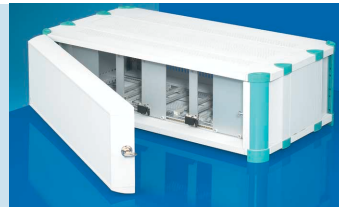


Depending on sitting conditions, the horizontally hinged rear panel can prove particularly useful e.g. for use with the tower version.
(Order No. see page 261).



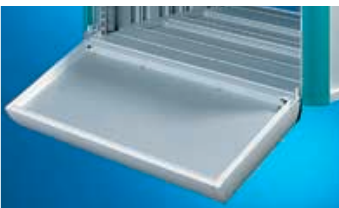
The Front Door

– featuring acrylic glazing or aluminum plate with left-hand or right-hand hinge, as required – protects the display and control components. The painted aluminum frame section is equipped with a security lock
(Order No. see page 259).



Tower Version

In conjunction with a corresponding front door and tower feet, RiCases may be configured as tower enclosures.



Keyboard Lid

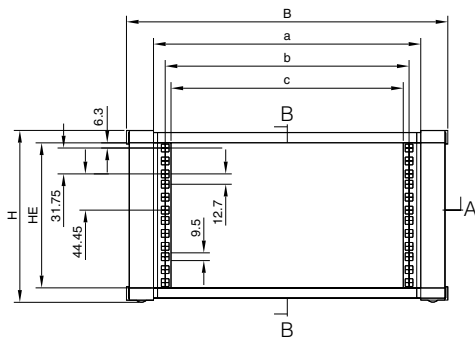
Suitable for the installation of 482.6 mm (19") keyboards. Horizontally hinged with security lock.
(Order No. see page 258).

Order Information

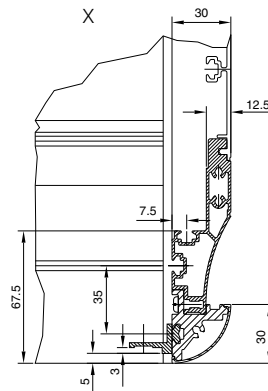
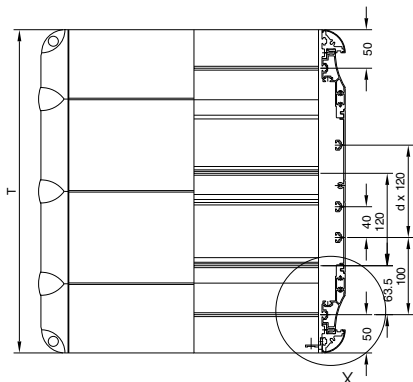
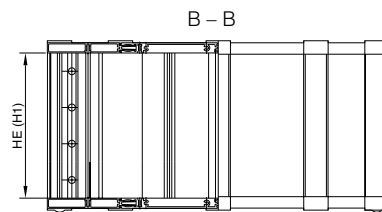
RiCase 269.2 mm (.5 19")/1U, 2U, 3U, 4U

Enclosure for subrack width 269.2 mm (1/2 19")	Packs of	1U		2U		3U			4U		Page
Depth (T) mm		300.0	420.0	300.0	540.0	300.0	420.0	540.0	420.0	540.0	
Order No. RC Non vented, RAL 5018	1	3750100	–	3750200	–	3750210	3750300	–	3750400	–	
Order No. RC Non vented, RAL 5012*	1	3750102	–	3750202	–	3750212	3750302	–	3750402	–	
Order No. RC Non vented, RAL 7030*	1	3750104	–	3750204	–	3750214	3750304	–	3750404	–	
Order No. RC Vented, RAL 5018	1	–	3750110	–	3750220	–	3750350	3750360	–	3750450	
Order No. RC Vented, RAL 5012*	1	–	3750112	–	3750222	–	3750352	3750362	–	3750452	
Order No. RC Vented, RAL 7030*	1	–	3750114	–	3750224	–	3750354	3750364	–	3750454	
H		77.5	77.5	121.9	121.9	166.4	166.4	166.4	210.8	210.8	
H1		45.0	45.0	89.4	89.4	133.8	133.8	133.8	178.3	178.3	
B		348.6	348.6	348.6	348.6	348.6	348.6	348.6	348.6	348.6	
a		280.6	280.6	280.6	280.6	280.6	280.6	280.6	280.6	280.6	
b		251.6	251.6	251.6	251.6	251.6	251.6	251.6	251.6	251.6	
c		237.2	237.2	237.2	237.2	237.2	237.2	237.2	237.2	237.2	
d		–	1	–	2	–	1	2	1	2	
Weight (kg) vented/non vented		3.3/3.4	4.2/4.4	3.7/3.8	5.4/6.1	4.1/4.2	5.2/5.4	6.1/6.8	5.8/6.0	6.8/7.5	
Accessories											
Horizontal carrying handles	2	3751250	3751260	3751250	3751270	3751250	3751260	3751270	3751260	3751270	258
Support stand/ carrying handle	RAL 5018	1	3751200	3751200	3751200	3751200	3751200	3751200	3751200	3751200	258
	RAL 5012*	1	3751202	3751202	3751202	3751202	3751202	3751202	3751202	3751202	258
	RAL 7030*	1	3751204	3751204	3751204	3751204	3751204	3751204	3751204	3751204	258
Blanking plate/rear panel	3	3746000	3746000	3747000	3747000	3748000	3748000	3748000	3749000	3749000	260
Front door, vertically hinged	1	–	–	–	–	3751300	3751300	3751300	3751300	3751300	254
Slide rails	2	3751500	3751510	3751500	3751520	3751500	3751510	3751520	3751510	3751520	256
Mounting angles, 482.6 mm (19")	2	3751650	3751650	3751660	3751660	3751670	3751670	3751670	3751680	3751680	256
Threaded inserts	8	3751700	3751700	3751710	3751710	3751720	3751720	3751720	3751730	3751730	256
Trim section	2	–	–	–	–	3751900	3751900	3751900	3751910	3751910	257

* Extended delivery times



B = Width
T = Depth
HE = U



RiCase 269.2 mm (.5 19")/1U, 2U, 3U, 4U

**Technical Specifications:**

Depth: 300 mm, 420 mm, 540 mm
 Installation Width:
 269.2 mm (1/2 19")
 Installation Options:
 269.2 mm (1/2 19") slide-in equipment
 and modular assemblies to DIN 41
 494, part 5 and IEC 60 297-3
 Protection Category:
 IP 42 non vented version.

Material/Surface Finish:

Cover trays: Extruded aluminum
 section/die-cast, spray finished
 in RAL 7035
 Side panels: Extruded aluminum
 section, spray finished in RAL 7035,
 colors RAL 5018/5012/7030*
 Corner caps: Plastic, RAL
 5018/5012/7030* 482.6 mm (19") mount-
 ing bracket: Extruded aluminum section,
 clear chromated

Supply Includes:

2 side panels
 2 cover trays
 8 corner caps
 8/12/16 cover caps
 (300 /420 / 540 mm depth)
 4 482.6 mm (19") mounting angles
 4 threaded inserts
 4 plain inserts
 1 rear panel

Enclosures are supplied
 partially assembled

* RAL 5018: turquoise
 RAL 5012: light blue
 RAL 7030: stone gray
 RAL 7035: light gray

Special dimensions and colors on request.

**RiCase accessories
 from pages 256-261**

**Subrack systems
 from page 146**

**Hinged Blanking Plate**

Vertically hinged for installation into
 electronic enclosures or cases.

**The Horizontal Carrying Handles**

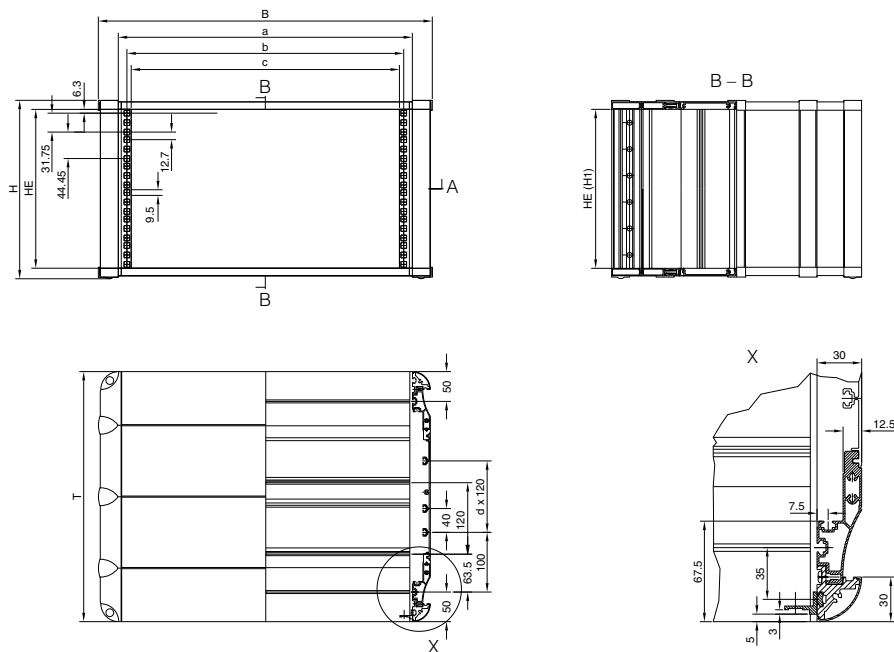
with a load bearing capacity of up to
 30 kg, are easily retro-fitted.

Order Information

RiCase 482.6 mm (19")/3U, 4U, 6U, 7U

Enclosure for subracks width 482.6 mm (19")		P. of	3U		4U		6U			7U		9U		12U
Depth (T) mm			300.0	420.0	300.0	420.0	300.0	420.0	540.0	420.0	540.0	420.0	540.0	540.0
Order No. RC Non-vented, RAL 5018		1	3750310	3750320	3750410	3750420	3750600	3750610	3750620	3750700	3750710	3750900	3750910	3750000
Order No. RC Non-vented, RAL 5012*		1	3750312	3750322	3750412	3750422	3750602	3750612	3750622	3750702	3750712	3750902	3750912	3750002
Order No. RC Non-vented, RAL 7030*		1	3750314	3750324	3750414	3750424	3750604	3750614	3750624	3750704	3750714	3750904	3750914	3750004
Order No. RC Vented, RAL 5018		1	3750330	3750340	3750430	3750440	3750630	3750640	3750650	3750720	3750730	3750920	3750930	3750030
Order No. RC Vented, RAL 5012*		1	3750332	3750342	3750432	3750442	3750632	3750642	3750652	3750722	3750732	3750922	3750932	3750032
Order No. RC Vented, RAL 7030*		1	3750334	3750344	3750434	3750444	3750634	3750644	3750654	3750724	3750734	3750924	3750934	3750034
H			166.4	166.4	210.8	210.8	299.7	299.7	299.7	344.2	344.2	433.1	433.1	566.5
H1			133.8	133.8	178.3	178.3	267.2	267.2	267.2	311.7	311.7	400.6	400.6	534.0
B			562.0	562.0	562.0	562.0	562.0	562.0	562.0	562.0	562.0	562.0	562.0	562.0
a			494.0	494.0	494.0	494.0	494.0	494.0	494.0	494.0	494.0	494.0	494.0	494.0
b			465.0	465.0	465.0	465.0	465.0	465.0	465.0	465.0	465.0	465.0	465.0	465.0
c			450.6	450.6	450.6	450.6	450.6	450.6	450.6	450.6	450.6	450.6	450.6	450.6
d			-	1	-	1	-	1	2	1	2	1	2	2
Weight (kg)	vented		5.3	6.9	5.7	7.5	6.5	8.5	10.8	9.1	11.5	10.1	12.9	15.0
	non vented		5.4	7.1	7.2	7.7	6.6	8.7	12.2	9.3	12.9	10.3	14.3	16.4
Accessories														
Horiz. carrying handles		2	3751250	3751260	3751250	3751260	3751250	3751260	3751270	3751260	3751270	3751260	3751270	3751270
Support stand/ carrying handles	RAL 5018	1	3751210	3751210	3751210	3751210	3751210	3751210	3751210	3751210	3751210	3751210	3751210	3751210
	RAL 5012*	1	3751212	3751212	3751212	3751212	3751212	3751212	3751212	3751212	3751212	3751212	3751212	3751212
	RAL 7030*	1	3751214	3751214	3751214	3751214	3751214	3751214	3751214	3751214	3751214	3751214	3751214	3751214
Blanking plate/rear panel		3	3751600	3751600	3751610	3751610	3751620	3751620	3751620	3751630	3751630	3751530	3751530	3751540
Rear door, solid		1	3751100	3751100	3751110	3751110	3751120	3751120	3751120	3751130	3751130	-	-	-
Rear door, for fan		1	3751150	3751150	3751160	3751160	3751170	3751170	3751170	3751180	3751180	-	-	-
Front door, vert. hinged		1	3751320	3751320	3751330	3751330	3751340	3751340	3751340	3751350	3751350	-	-	-
Slide rails		2	3751500	3751510	3751500	3751510	3751500	3751510	3751520	3751510	3751520	3751510	3751510	3751520
Mounting angles, 482.6 mm (19")		2	3751670	3751670	3751680	3751680	3751690	3751690	3751690	3751640	3751640	3751780	3751780	3751790
Threaded inserts		8	3751720	3751720	3751730	3751730	3751740	3751740	3751740	3751750	3751750	3751760	3751760	3751770
Trim section		2	3751900	3751900	3751910	3751910	3751920	3751920	3751920	3751930	3751930	3751820	3751820	3751830

* Extended delivery times



B = Width
T = Depth
HE = U

**Technical Specifications:**

Depth: 300 mm, 420 mm and 540 mm

Installation Width:
482.6 mm (19")

Installation Options:
482.6 mm (19") slide-in equipment and modular assemblies to DIN 41 494, part 5 and IEC 60 297-3

Protection Category:
IP 42 non vented version.

Material/Surface Finish:

Cover Trays: Extruded aluminum section/die-cast, spray finished in *RAL 7035

Side Panels: Extruded aluminum section, spray finished in RAL 7035, colors RAL 5018/5012/7030*

Corner Caps: Plastic, RAL 5018/5012/7030*

482.6 mm (19") Mounting Angles:
Extruded aluminum section, clear chromated

Supply Includes:

- 2 side panels,
- 2 cover trays,
- 8 corner caps,
- 8/12/16 cover caps (300/420/540 mm depth),
- 2 482.6 mm (19") mounting angles,
- 2 threaded inserts,
- 4 untapped strips.

Enclosures are supplied partially assembled.

* RAL 5018: turquoise
RAL 5012: light blue
RAL 7030: stone gray
RAL 7035: light gray

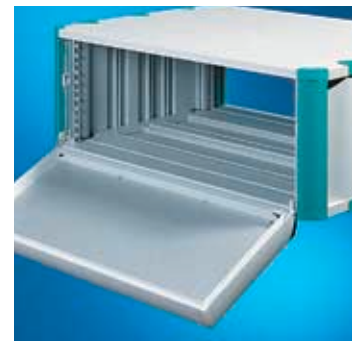
Special dimensions and colors on request.

RiCase accessories from pages 256-261

Subrack-systems from page 146



The Support Stand/carrying Handle of solid aluminum, is adjustable on a 30° increments.



The Keyboard Lid is designed for 482.6 mm (19") keyboards and has a security lock.

Accessories

RiCase – Interior Installation

Mounting Angles For 482.6 mm (19")



For additional installation of subracks.

Material:

Extruded aluminum sections, clear chromated

Supply Includes:

2 mounting angles
Assembly parts

Note: 1 pack of threaded inserts and 2 packs of mounting rails and spacers are required for depth-adjustable installation.

For enclosure height	Packs of	Order No.
1U	2	3751650
2U	2	3751660
3U	2	3751670
4U	2	3751680
6U	2	3751690
7U	2	3751640
9U	2	3751780
12U	2	3751790

Slide Rails



To support heavy slide-in equipment.

Material:

1.5 mm sheet steel, yellow passivated

Supply Includes:

2 slide rails, assembly parts

Note: Threaded inserts should be ordered separately.

Enclosure depth	Packs of	Order No.
300 mm	2	3751500
420 mm	2	3751510
540 mm	2	3751520

Threaded Inserts



For fastening mounting angles, slide rails, mounting kits, cable trunking etc. Slides into the grooves of the side panels.

Material:

Extruded aluminum sections, clear chromated

Supply Includes:

8 threaded inserts

For enclosure height	Packs of	Order No.
1U	8	3751700
2U	8	3751710
3U	8	3751720
4U	8	3751730
6U	8	3751740
7U	8	3751750
9U	8	3751760
12U	8	3751770

Earthing Set



For compliance with electrical protection measures; fits all Rittal RiCase enclosures.

Supply Includes:

Insert strip, pointed grub screws, green/yellow connection lead, serrated washer, nut

Packs of	Order No.
4	3798000

Mounting Rails



- For depth-variable installation of the mounting angles

- For static or pull-out installation of component shelves

Material:

Aluminum, clear chromated

Supply Includes:

2 mounting rails
Assembly parts

Note: Threaded inserts and spacers should be ordered separately.

For enclosure depth	Packs of	Order No.
420 mm	2	3751410
540 mm	2	3751420

RiCase – Interior Installation

Spacers

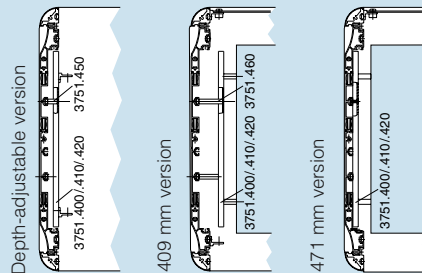


For securing mounting rails. With 471 mm component shelves, the mounting rails are screwed directly to the side panel.

Supply Includes:

4 spacers

Note: Threaded inserts should be ordered separately.



Assembly kit for	Packs of	Order No.
Depth-adjustable mounting angles	4	3751450
Component shelf installation 409mm wide ²	4	3751460
Component shelf installation 417 mm wide ²	Direct installation	

Trim Section



To cover the sides on the left and right of the subrack when no rear door or rear panel is used.

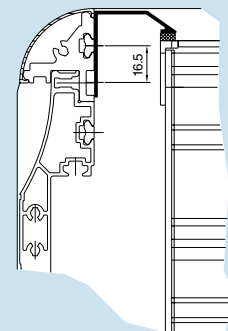
Material:

Extruded aluminum section, spray finished in RAL 7035

Supply Includes:

2 trim sections
Assembly parts

For enclosure height	Packs of	Order No.
3U	2	3751900
4U	2	3751910
6U	2	3751920
7U	2	3751930
9U	2	3751820
12U	2	3751830



M6 Assembly Screws



For captive nuts, including plastic washers.

Description	Packs of	Order No.
Cheese-head screw	100	2093200
Phillips-head screw	100	2089000

M6 Captive Nuts



For fastening accessories **with** contact of the subrack to the enclosure/frame.

Packs of	Order No.
50	2094200

For fastening accessories **without** contact of the subrack to the enclosure/frame.

Packs of	Order No.
50	2092200

Accessories

RiCase – External Mounting

Horizontal Carrying Handles



For easy, secure transportation

- May be retrofitted
- Load capacity 30 kg/pair

Material:

End pieces: Die-cast, spray finished in RAL 7035
Center part: Extruded aluminum section, painted in RAL 7035

Supply Includes:

2 carrying handles, assembly parts

For enclosure depth	Packs of	Order No.
300 mm	2	3751250
420 mm	2	3751260
540 mm	2	3751270

Support Stand/Carrying Handles



- Support stand/carrying handle adjustable in 30° increments
- Suitable for retro-fitting to 2 – 7U
- For 269.2 mm (1/2 19") and 482.6 mm (19") wide enclosures
- Load capacity 30 kg

Material:

Hinged part: Die-cast, spray finished in RAL 7035, other colors RAL 5018/5012/7030

Center part: Extruded aluminum section, spray finished in RAL 7035 with plastic coating

Supply Includes:

1 support stand/carrying handle
Assembly parts



RAL 5018

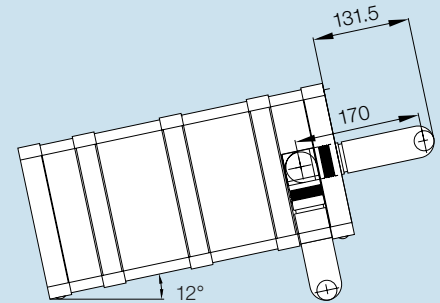
RAL 5012

RAL 7030

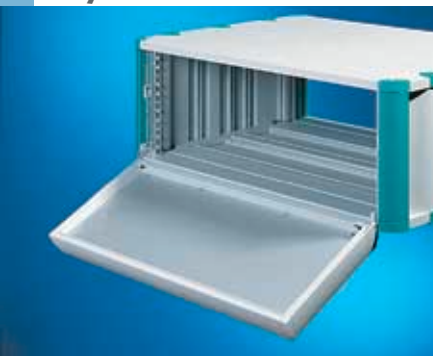
For enclosure width	Col. RAL	W mm	Order No.
269.2 mm (1/2 19")	5018	392	3751200
269.2 mm (1/2 19")	5012*	392	3751202
269.2 mm (1/2 19")	7030*	392	3751204
482.6 mm (19")	5018	605	3751210
482.6 mm (19")	5012*	605	3751212
482.6 mm (19")	7030*	605	3751214

W = total width handle

* Extended delivery times



Keyboard Lid



Suitable for the installation of 482.6 mm (19") keyboards.

- Horizontally hinged with security lock
- Removable cover plate

Material:

Frame section: Extruded aluminum section/ die-cast, spray finished in RAL 7035

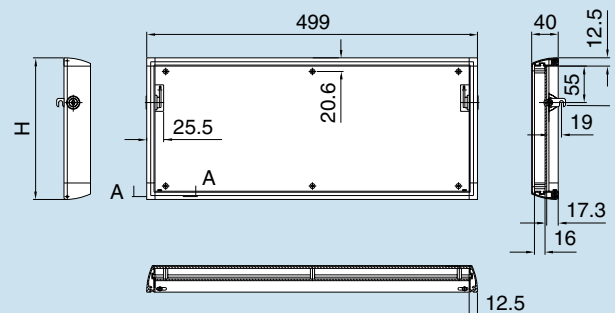
Base and cover plate: Aluminum, spray finished in RAL 7035

Supply Includes:

1 keyboard lid, assembly parts

Note: Only in conjunction with support stand/ carrying handle.

For enclosure width	H (U)	Packs of	Order No.
482.6 mm (19")	4	1	3751800
482.6 mm (19")	6	1	3751810



RiCase – External Mounting

Front Door, Vertically Hinged



For mechanical protection of built-in control components.

- Optional right-hand or left-hand hinges
- With security lock

Material:

Frame section: Extruded aluminum section, spray finished in RAL 7035

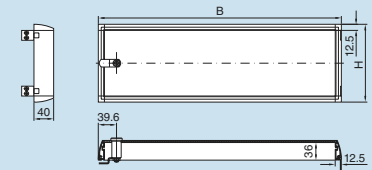
Corner pieces: Die-cast aluminum, spray finished in RAL 7035

Pane: Smoked acrylic

Supply Includes:

1 front door, assembly parts

For enclosure width	W (B) mm	H (U)	Order No.
269.2 mm (1/2 19")	289	3	3751300
269.2 mm (1/2 19")	289	4	3751310
482.6 mm (19")	503	3	3751320
482.6 mm (19")	503	4	3751330
482.6 mm (19")	503	6	3751340
482.6 mm (19")	503	7	3751350



Aluminum Front Door, Vertically Hinged



For mechanical protection of built-in control components.

- Optional right-hand or left-hand hinges
- With security lock

Material:

Frame section: Extruded aluminum section, spray finished in RAL 7035

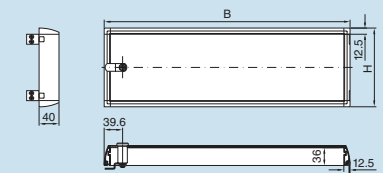
Corner pieces: Die-cast aluminum, spray finished in RAL 7035

Aluminum plate

Supply Includes:

1 front door, assembly parts

For enclosure width	W (B) mm	H (U)	Order No.
482.6 mm (19")	503	3	3751360
482.6 mm (19")	503	4	3751370
482.6 mm (19")	503	6	3751380



Front Door For Tower



For mechanical protection of built-in control components.

- Optional right-hand or left-hand hinges
- With security lock

Material:

Frame section: Extruded aluminum section, spray finished in RAL 7035

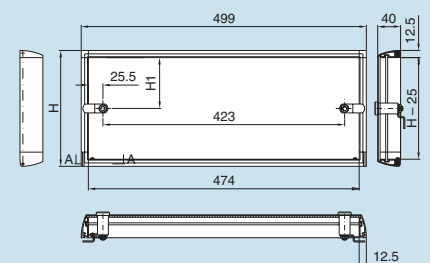
Corner pieces: Die-cast aluminum, spray finished in RAL 7035

Pane: Smoked acrylic

Supply Includes:

1 front door, assembly parts

For enclosure width	W (B) mm	H (U)	Order No.
482.6 mm (19")	503	3	3751390
482.6 mm (19")	503	4	3751430



Tower Feet



For vertical positioning of enclosures. May be retrofitted.

Material:

Plastic to UL 94-V0, self-extinguishing RAL 5018

Supply Includes:

4 tower feet, assembly parts

Color RAL	Packs of	Order No.
5018	1 set	3751850
5012	1 set	3751852
7030	1 set	3751854



RAL 5018

RAL 5012

RAL 7030

Accessories

RiCase – External Mounting

Rear Panel



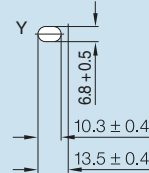
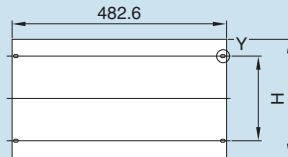
To cover the rear. May be screw fastened, incl. mounting angles.

Material:
2/3 mm aluminum, natural anodized

Supply Includes:
1 rear panel
2 482.6 mm (19") mounting angles
Assembly parts

For enclosure width 482.6 mm (19")

e1	e2	H (U)	Packs of	Order No.
57.15	–	3	1	3751600
101.6	–	4	1	3751610
190.5	–	6	1	3751620
57.15	88.9	7	1	3751630
120.6	101.6	9	1	3751530
190.6	13.3	12	1	3751540



Rear Door, Solid



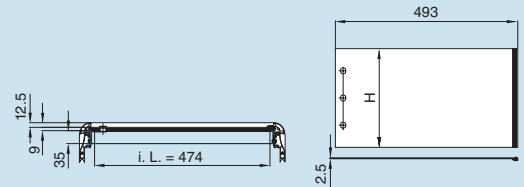
To cover the rear.

- Hinged, with security lock
- Optional right-hand or left-hand hinges

Material:
Aluminum, spray finished in RAL 7035

Supply Includes:
1 rear door, hinged
Assembly parts

For enclosure width	H (U)	Packs of	Order No.
482.6 mm (19")	3	1	3751100
482.6 mm (19")	4	1	3751110
482.6 mm (19")	6	1	3751120
482.6 mm (19")	7	1	3751130



Rear Door, For Fan Installation



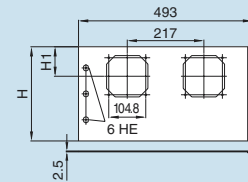
To cover the rear.

- With security lock
- Optional right-hand or left-hand hinges
- For 120 mm fan

Material:
Aluminum, spray finished in RAL 7035

Supply Includes:
1 rear door, hinged
Assembly parts

For enclosure width	H (U)	H1	Order No.
482.6 mm (19")	3	66.65	3751150
482.6 mm (19")	4	88.90	3751160
482.6 mm (19")	6	83.50	3751170
482.6 mm (19")	7	83.50	3751180



Fan Expansion Kit



With one fan, including assembly parts and connection cable (0.61 m).

Technical Specifications:
Rated operating voltage: 230 V/115 V
Power consumption: 19/18 W at 50/60 Hz
Air throughput (unimpeded air flow):
140/165 m³/h, 50/60 Hz
Temperature range: – 10° C to + 55° C

Fan	Packs of	Order No.
230 V AC	1 set	7980000
115 V AC	1 set	7980110

RiCase – External Mounting

Blanking Plates



Material:
 3 mm aluminum, natural anodized
 482.6 mm (19")
 2 mm aluminum, natural anodized
 269.2 mm (1/2 19")

Note: Order mounting angles for 482.6 mm (19") blanking plates separately if used as rear panel.

U	Packs of	Order No. 269.2 mm (1/2 19")	Order No. 482.6 mm (19")
1	3	3746000	1931200
2	3	3747000	1932200
3	3	3748000	1933200
4	3	3749000	1934200
6	3	–	1936200
7	3	–	1935200
9	3	–	1939200
12	3	–	1937200

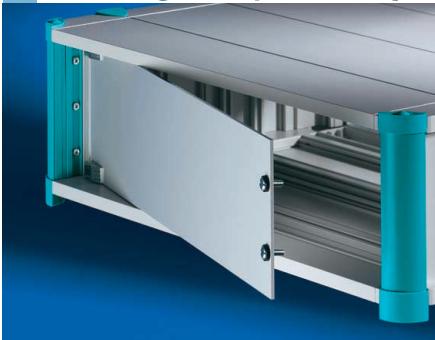
Ventilation Front Plates



For venting enclosures from front or rear.
Material:
 3 mm aluminum, natural anodized

Width	U	P. of	Order No.
482.6 mm (19")	1	3	2231000
482.6 mm (19")	2	3	2232000
482.6 mm (19")	3	3	2233000

Blanking Plate, Vertically Hinged

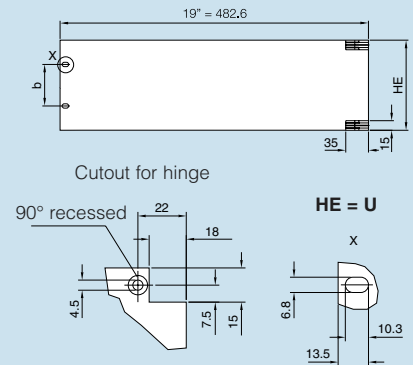


For installation in electronic enclosures or cases.
Material:
 Hinges: Die-cast zinc, zinc-plated
 Blanking plate: 3 mm aluminum, natural anodized

Supply Includes:
 2 hinges, 1 front plate, assembly parts

Note: Order mounting angles for 482.6 mm (19") cases separately if used as rear panel.

Width	U	b mm	Order No.
482.6 mm (19")	3	57.15	1940000
482.6 mm (19")	6	190.50	1941000



Blanking Plate, Horizontally Hinged



For installation in electronic enclosures or cases.
Material:
 Hinges: Die-cast zinc, zinc-plated
 Blanking plate: 3 mm aluminum, natural anodized

Supply Includes:
 2 hinges, 1 front plate, assembly parts

Note: Order mounting angles for 482.6 mm (19") cases separately if used as rear panel.

Width	U	b mm	Order No.
482.6 mm (19")	3	37.7	1944000
482.6 mm (19")	6	37.7	1945000

